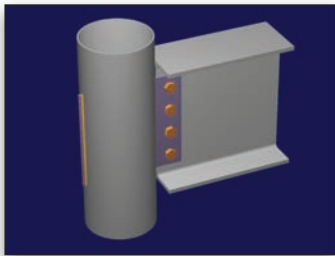


RAM™ Connection V8i

Everything You Need for Steel Connection Design

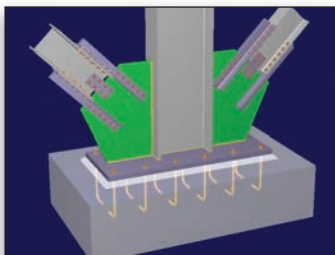
RAM Connection V8i can be used as a stand alone program or fully integrated with RAM Structural System V8i, RAM Elements, and STAAD.Pro® V8i for steel connection design. RAM Connection V8i provides powerful connection check or design in seconds. To check a specific connection, design a single connection for multiple joints or optimize each connection in your structure, RAM Connection V8i gets you there quicker than ever before.



Through/Knife Plate Connection



Fully Restrained Moment Connection



Base Plate with Gussets

Automated Connection Design

Designing, checking and optimizing shear, moment, gusset, splice, bracket, and base-plate connections, according to AISC (ASD or LRFD) and BS 5950, has never been this automated. Designers can assign connections directly to the finite element model and have RAM Connection V8i automatically consider member geometric and material properties – and analytical results – to choose the desired connection. The engineer has unlimited flexibility to check a specific connection or optimize all connections individually or in groups.

RAM Connection V8i works as a stand alone program or integrated with RAM Elements, STAAD.Pro V8i, and RAM Structural System V8i.

Integrated Connection Design

RAM Connection V8i is the first fully integrated steel connection design and optimization tool in the industry. RAM Connection V8i works as a stand alone program or can be integrated with RAM Elements, STAAD.Pro V8i and RAM Structural System V8i.

Provides Unlimited Flexibility

A user's office standards, rules of thumb or connection expertise can be brought together into the connection designs because RAM Connection V8i allows users to customize vast portions of the design. Users can also choose from RAM Connection V8i large database of predefined connections to meet your design needs. RAM Connection V8i goes even further by providing report with explicit equations and references to the design standard.

A Myriad of Connections at Your Fingertips

Either designing a shear connection (shear tab, clip angle, end plate), a moment connection (flange plates, directly welded flanges), a combined connection (extended end plate) or a gusset connection for braces, RAM Connection V8i is all that is needed. All design checks are done for you immediately so comparing different connection options for a particular problem is easy.

Cutting-Edge Graphics

RAM Connection V8i also raises the bar with its breakthrough graphics. This feature allows accurate 3D views of fit-up and clearance to ensure the structure works and reduces on-site connection issues.

Details Produced Automatically

RAM Connection V8i saves time and increases accuracy by generating details directly from the designs through a DXF output file.

Deals With Changes Easily

RAM Connection V8i can easily handle changes that occur during the lifecycle of the project. RAM Connection V8i saves time even when sweeping changes are required.

Seismic Design Included

To address ever-changing and time-consuming code requirements, RAM Connection V8i includes AISC seismic provision checks in the designs.

System Requirements

Processor:

Intel or AMD, 32-bit or 64-bit, PC compatible processor

Operating System:

Windows XP, Vista and 7

RAM:

1 GB minimum, 2 GB recommended

Hard Disk:

150 MB free disk space for installation
2 GB available for analyzing models

Display:

Open GL compatible graphics card with at least 512 MB in video memory

Find out about Bentley at: www.bentley.com

Contact Bentley

1-800-BENTLEY (1-800-236-8539)
Outside the US +1 610-458-5000

Global Office Listings

www.bentley.com/contact

RAM Connection V8i At-A-Glance

Modeling

- Wide flange beams, wide flange or HSS column, and virtually any steel section(s) for braces
- Beam to column connections (flange or web)
- Beam to girder connections
- Beam to beam connections
- Beam and column splices
- Brackets
- Base plate design including anchors
- Gusset plates for bracing connections
- Extensive, customizable database of connections
- Generation of new connections using the program interface or using Microsoft Excel
 - » Control dozens of design parameters such as:
 - » Plate dimensions

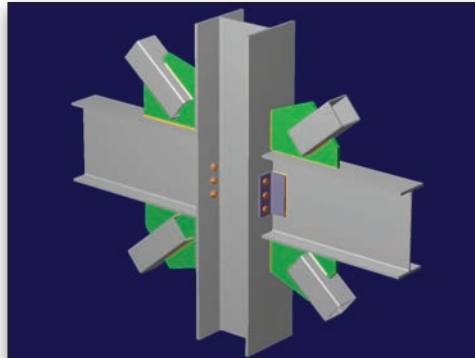
- » Welds (type, size, electrode series, length, etc.)
- » Bolts (size, material, N, X, slip critical, hole types, etc.)
- » Doublers and stiffeners dimensions
- » Top and bottom beam copes
- » Sloped and skewed connections

Design

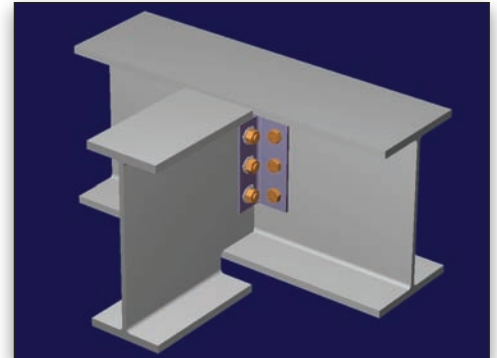
- Design per AISC 360-05 (ASD or LRFD)
- Design per AISC 341-05 Seismic Provisions
- Most AISC 358-05 Prequalified Moment connections
- Anchor bolt design per ACI 318-08 Appendix D
- Design per BS5950-1:2000
- Verification of existing connections
- Optimization of connections with Bentley advanced algorithms or from users pre-selected list

Output and Documentation

- Design/check one connection at a time or hundreds at once
- Output and documentation
- On-screen verification of connection results
- 3D realistic views
- 3D transparent views to avoid joint conflicts
- DXF drawing generation
- DXF export to CAD



Bracing Connections



Double-Angle Connection

Bentley
Channel Partner

Stadd Engineers Mumbai

Add : B-703, New Samadhan CHS Ltd,
Senapati Bapat Road, Near Zarapkar,
Opp. Dadar Stn. (W),
Mumbai - 400 028, India.

Tele/Fax : +91 - 22 - 2430 8872

E-mail : staddengineers@gmail.com

 **Bentley**
Sustaining Infrastructure